

**LOADSTAR**



\*Equipment shown has optional attachment

# A Heavy Weight Champion is Born!

**LOADSTAR LS 25-1200**

**FORKLIFT**



---

Loadstar Forklifts are built to last. Designed to World class standards, these Forklifts employ the latest technology and fitted with field proven and renowned components to give it cutting edge performance.

Loadstar Forklifts are backed by a strong service support network ensuring maximum machine availability. A product so well thought out, they are ideally suited for emerging markets and guarantee maximum returns with minimum downtime, well justifying the investment.

The chassis and Mast have been designed adopting in depth FEM analysis. Coupled with the usage of high strength steel they ensure excellent torsional rigidity and free from failures during its entire lifetime.

---





## ENGINE

The latest VOLVO Engine to model TAD 552 VE developing 160 kW (218 HP) and a phenomenal industry leading 910 Nm torque is fitted on this machine. This engine has a significantly lower fuel consumption when compared with the higher displacement engines in the present market. Also known for its easy maintenance and longer service intervals, this engine is the same model fitted by leading European brands in this field.

## TRANSMISSION/DRIVE AXLE

A matched ZF 3 WG 171 Powershift Transmission seamlessly transfers power to the heavy duty Axletech Drive axle with a wider track for superior stability. The drive axle has a larger outer width of 3160 mm which is the highest in the industry. This not only gives superior stability but also permits an industry first 90 mm spacing between the front dual tyres. This prevents undue side wall wear which is presently a teething issue



## BRAKES

Highly effective oil immersed wet disc brake system is provided as against the problem prone air brake system currently offered.

## HYDRAULICS/CONTROLS

Load sensing Hydraulics with Variable Displacement Pumps consuming power only on demand, thereby increasing the fuel efficiency from the industry leader Parker has been fitted on this machine. Modern Joystick controls replace the old individual lever controls. A 7" Touch Screen display is fitted doing away with outdated meters. The weight of the lifted load is also displayed. These are all unique features.

## MAST

The Mast has the highest width in the Industry giving superior visibility to the operator. A clever design eliminates view obstructing cross members.

## CABIN

The machine is fitted with an Industry first cantilever suspended High mount Cabin. This would be highly appreciated by maintenance technicians with no obstructing structural members, hindering their work. The highly spacious Steel cabin is all weather proof and sound insulated. A3 way adjustable steering column is fitted facilitating easy steering control for operators with different statures. Rear view camera and music system is standard supply.



## OTHER FEATURES

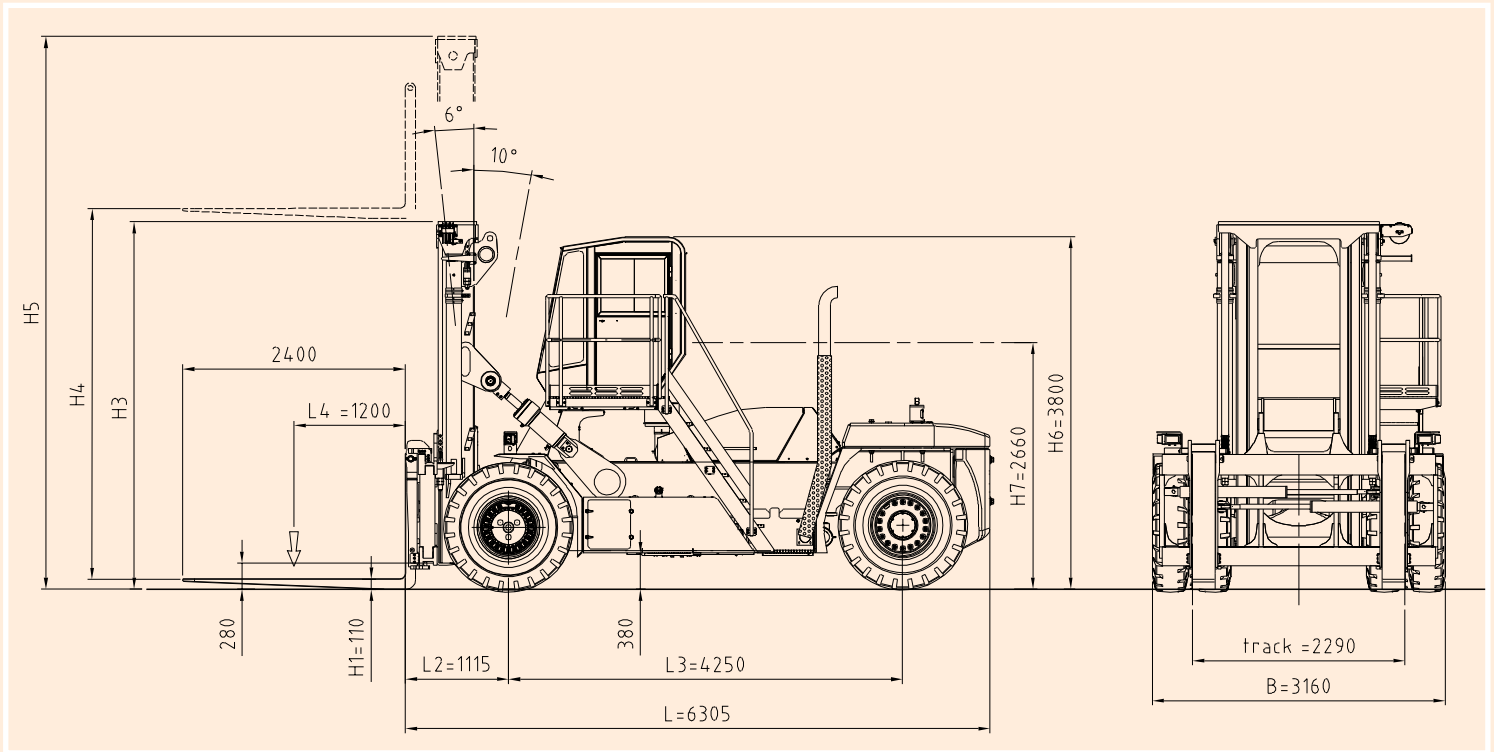
- High density Cast iron counterweights are fitted against the present voluminous scrap filled counterweights. This not only adds aesthetics to the machine but also gives better rear visibility, thanks to its compact size.
- Flip opening gas spring stayed heat insulated bonnets give spectacular access to Engine/Transmission/Hydraulics maintenance.
- Specially designed anti slip stairway and platform ensure safe access and de-mounting.

# LOADSTAR LS 25-1200

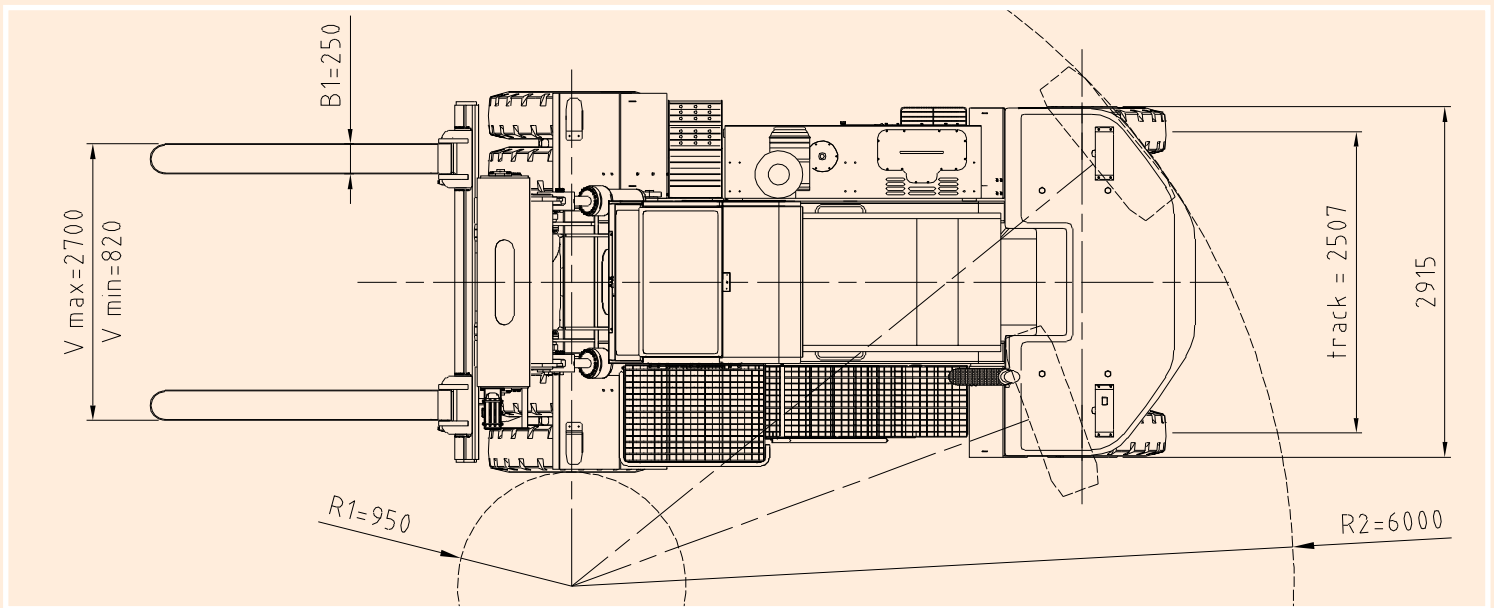
# SPECIFICATIONS

|                           |   |                                 |           |                  |                           |             |
|---------------------------|---|---------------------------------|-----------|------------------|---------------------------|-------------|
| Specification             | 01 Manufacturer                                 |                                 |           |                  | LOADSTAR                  |             |
|                           | 02 Model  |                                 |           |                  | LS 25-1200 / 4.0          |             |
|                           | 03 Lifting capacity                             |                                 |           | Kg               | 25,000                    |             |
|                           | 04 Load centre                                  |                                 | L4        | mm               | 1,200                     |             |
|                           | 05 Power unit                                   |                                 |           |                  | Diesel                    |             |
|                           | 06 Steering                                     |                                 |           |                  | Steering wheel in the cab |             |
|                           | 07 Tyre type                                    | Front / Rear                    |           |                  | Pneumatic                 |             |
|                           | 08 Wheels                                       | N° of Front / Rear (* = driven) |           |                  | 4*/2                      |             |
| Dimensions                | 09 Lift, duplex mast                            | Standard                        | H4        | mm               | 4,000                     |             |
|                           | 10  | Free lift, normal               | H2        | mm               |                           |             |
|                           | 11  | Free lift, optional             |           |                  |                           |             |
|                           | 13 Forks  | Thickness                       |           | H1               | mm                        | 110         |
|                           |   | Width                           |           | B1               | mm                        | 250         |
|                           |   | Length (standard)               |           | L1               | mm                        | 2,400       |
|                           | Distance between forks                          | Min / Max                       |           | V                | mm                        | 820 / 2,700 |
|                           |   |                                 | Sideshift |                  | mm                        | 250 + 250   |
|                           | 14 Mast tilt angle                              | Forward / Backwards             |           | * / *            |                           | 6° - 10°    |
|                           | 15 Overall dimensions                           | Length without forks            |           | L                | mm                        | 6,305       |
|                           | 16  | Width of truck                  |           | B                | mm                        | 3,160       |
|                           | 17  | Mast height, min.               |           | H3               | mm                        | 3,960       |
|                           | 18  | Mast height, max.               |           | H5               | mm                        | 5,960       |
|                           | 19  | Height                          |           | H6               | mm                        | 3,800       |
|                           | 20  | Seat height                     |           | H7               | mm                        | 2,660       |
|                           | 21 Turning radius                               | Inner / Outer                   |           | R1/2             | mm                        | 950 / 6,000 |
|                           | 22 Distance from front axle centre to fork face |                                 |           | L2               | mm                        | 1,115       |
| 23 Aisle for 90° stacking | Incl. 200mm safety margin                       |                                 | A1        | mm               | 9,730                     |             |
| Stability                 | ISO 1074  |                                 |           |                  | yes                       |             |
| Performances              | 24 Speed  | Travelling F/R - laden/unladen  |           | Km/h             | 22 / 26                   |             |
|                           | 25  | Lifting laden / unladen         |           | m/s              | 0.25 / 0.31               |             |
|                           | 26  | Lowering laden / unladen        |           | m/s              | 0.30 / 0.30               |             |
|                           | 28 Tractive Effort                              | Max - Laden                     |           | KN               | 190                       |             |
|                           | 29 Gradeability                                 | at 2 Km/h - laden               |           | %                | 28                        |             |
|                           | 30  | Max at 0 Km/h - laden           |           | %                | 33                        |             |
| Weights                   | 32 Service weight                               |                                 |           | Kg               | 35,140                    |             |
|                           | 33 Front axle load                              | Unladen                         |           | Kg               | 16,400                    |             |
|                           |   | Laden                           |           | Kg               | 55,018                    |             |
|                           | 34 Rear axle load                               | Unladen                         |           | Kg               | 18,740                    |             |
|                           |   | Laden                           |           | Kg               | 5,122                     |             |
| 35 Tyres                  | N° - Front / Rear                               |                                 |           |                  | 4 / 2                     |             |
| Chassis                   | 36  | Size - Front                    |           | ins.             | 14.00-24 28PR             |             |
|                           | 37  | Size - Rear                     |           | ins.             | 14.00-24 28PR             |             |
|                           | 38 Wheelbase                                    |                                 | L3        | mm               | 4,250                     |             |
|                           | 39 Track  |                                 |           | mm               | 2,290                     |             |
|                           | 40 Ground clearance                             | Under the mast                  |           | mm               | 280                       |             |
|                           | 41  | At half distance between axles  |           | mm               | 390                       |             |
|                           | 42 Service brake                                | Type                            |           |                  | Wet disc brake            |             |
|                           | 43 Parking brake                                | Type                            |           |                  | Spring brake              |             |
|                           | Steering system                                 |                                 |           |                  | Hydraulic - servo         |             |
|                           | Fuel tank capacity                              |                                 |           | L                | 200                       |             |
|                           | Oil tank capacity                               |                                 |           | L                | 480                       |             |
| Drive system              | 49 Engine                                       | Manufacturer - Type             |           |                  | Volvo TAD 552 VE          |             |
|                           | 50  | Rated power                     |           | kW(HP)           | 160 (218)                 |             |
|                           | 51  | Speed                           |           | rpm              | 2,200                     |             |
|                           | 52  | Peak torque / revs 1'           |           | Nm/rpm           | 900 / 1,500               |             |
|                           |   | N° of cylinders / Displacement  |           | cm3              | 4 / 5,130                 |             |
|                           | 53  | Compression ratio               |           |                  | 17.5:1                    |             |
|                           |   | Fuel consumption                |           | l/h              |                           |             |
|                           | Alternator                                      | Type - Power                    |           | A                | 130                       |             |
|                           | Starting battery                                | Voltage - Capacity              |           | V/Ah             | 2x12 / 145                |             |
|                           | 54 Drive axle                                   | Manufacturer-Type               |           |                  | Axletech PRLC 1794        |             |
|                           | 55 Gear box                                     | Type - N° of gear forw / rev    |           |                  | ZF 3WG 171 - 3/3          |             |
| 56 Clutch                 | Type  |                                 |           | Torque Converter |                           |             |
| 57 Hydraulic pressure     | For attachment                                  |                                 | Bar       | 120              |                           |             |
| 58 Noise level            | Cab   |                                 | db(A)     |                  |                           |             |

## DIMENSIONS



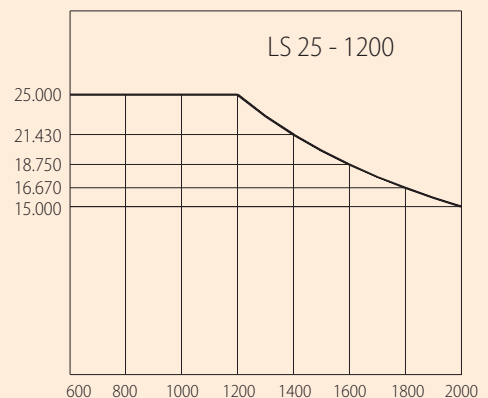
## TURNING RADII



## STANDARD DUPLEX MAST

| H4   | H3   | H5   |
|------|------|------|
| 4000 | 3960 | 5960 |
| 4500 | 4210 | 6460 |
| 5000 | 4460 | 6960 |
| 5500 | 4710 | 7460 |
| 6000 | 4960 | 7960 |

## LOAD CAPACITY





Experience, Knowledge and Wisdom lays the foundation to create a better product with optimum efficiency, translating into higher returns on Investment. That, in a nutshell, is the reason why Loadstar was born.

Loadstar Equipment, though a young company comes with 85 years of hands-on experience. Set up to primarily manufacture container handling Reach Stackers and heavy duty Forklift Trucks, the company has Promoters who have not only revolutionized Container Handling in India 25 years ago, but also gave Asia its first Reach Stacker.

## **LOADSTAR** *"Redefining Lifting Excellence"*



**Loadstar Equipment Pvt Ltd**

#10-B, 2nd Phase, Peenya Industrial Area,  
Bangalore 560 058, India

Tel: +91 80 28375331

Email: [info@loadstar.in](mailto:info@loadstar.in)

Web: [www.loadstar.in](http://www.loadstar.in)